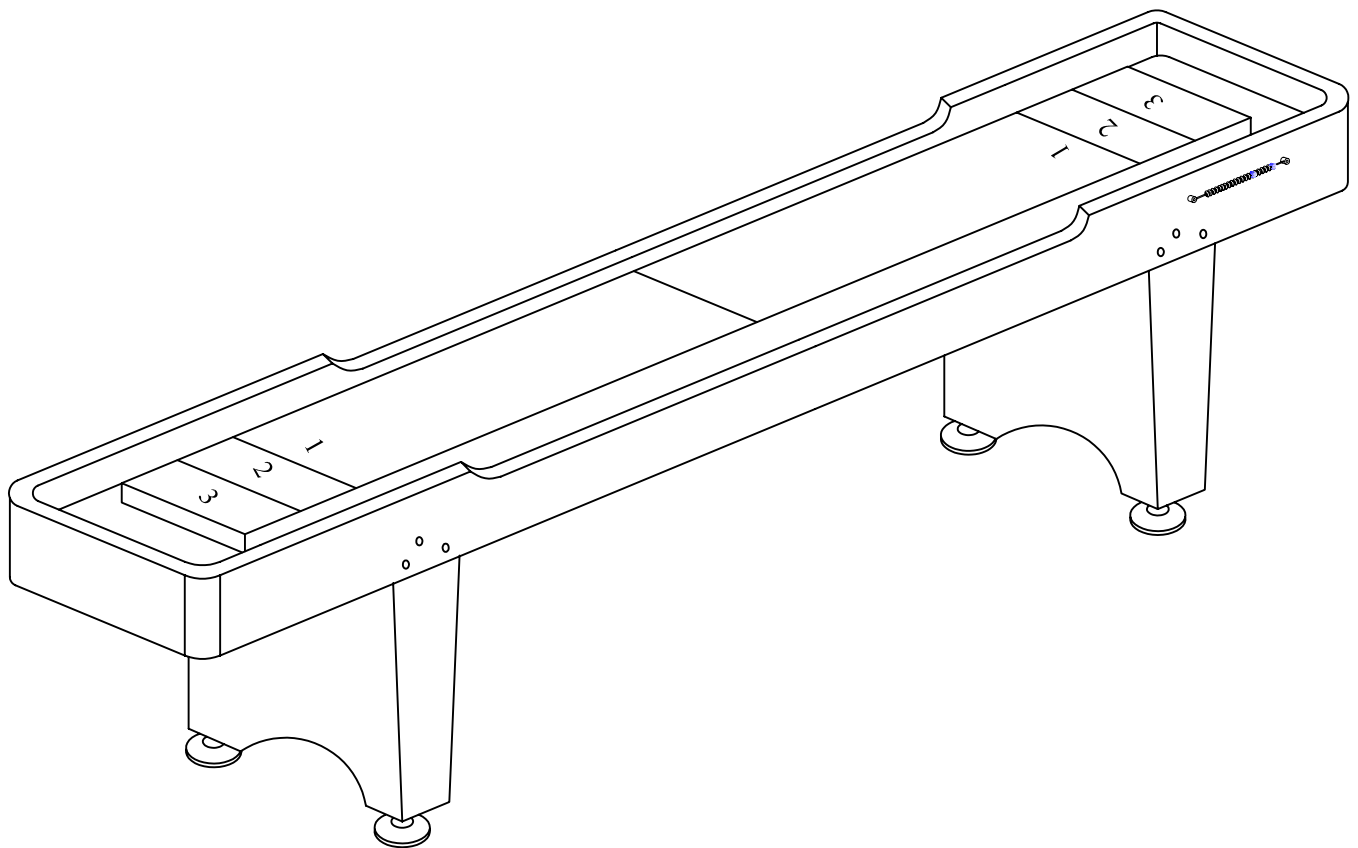


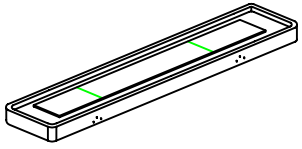
INSTRUCTION MANUAL

FOR SHUFFLEBOARD



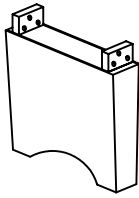
ASSEMBLY INSTRUCTION

#1



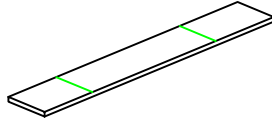
Cabinet
1 pc

#2



Leg
2 pcs

#3



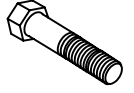
Board
1 pc

#4



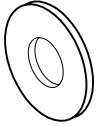
Leg Leveler
4 pcs

#5



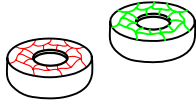
5/16"*3" Bolt
12 pcs

#6



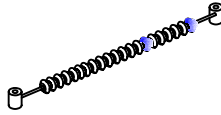
5/16"*23mm Washer
12 pcs

#7



Red and blue puck
each 4 pcs

#8



Slide scoring unit
2 set

#9



Screw F4*1-1/2"
4 pcs

#10



Wood cap
4 pcs

#11



Wrench 01
1 pc

ASSEMBLY INSTRUCTION

Step 1: Assembly of Legs

* Use blot(#5) and washer(#6) to secure leg(#2) to cabinet(#1) as shown in the figure 1.

* Install leg levelers(#4) as shown in the figure 1.

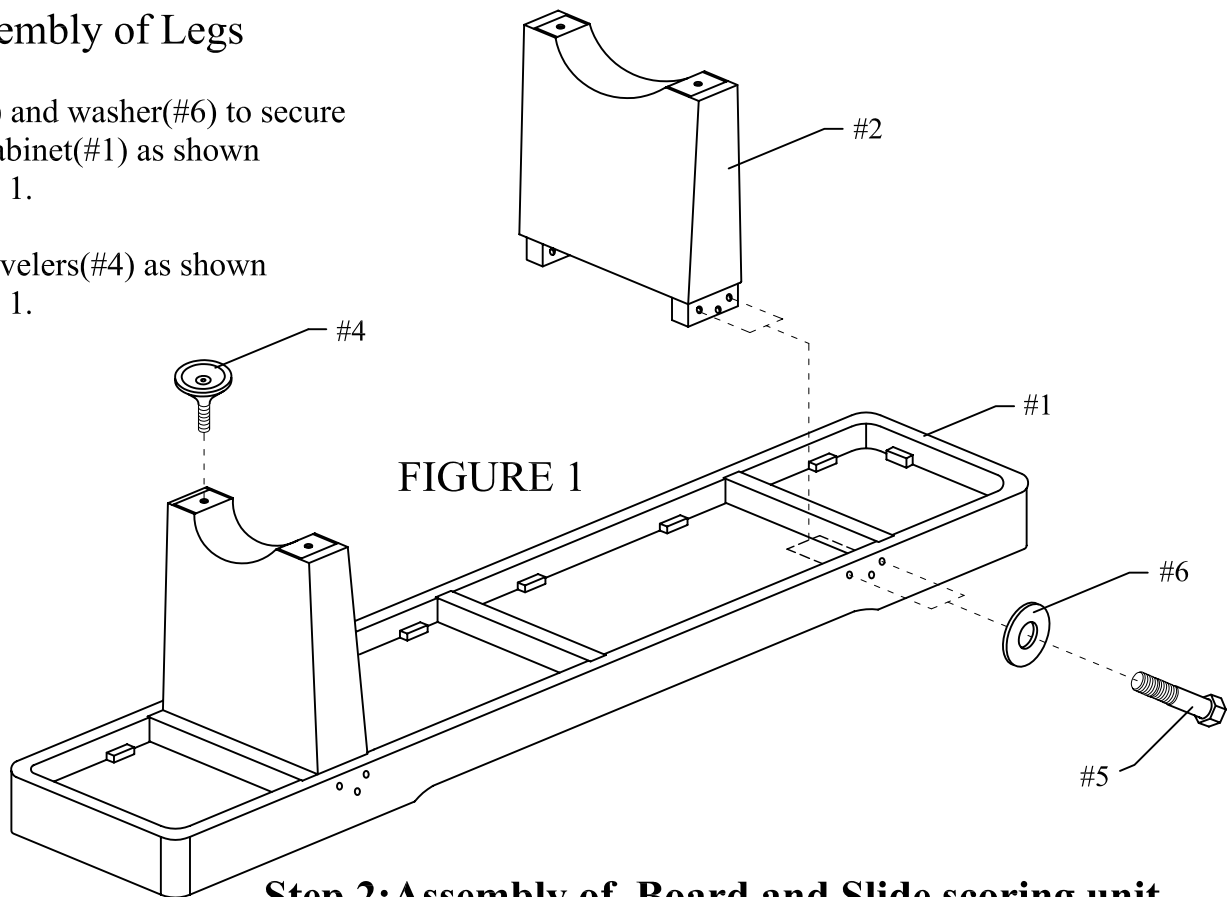


FIGURE 1

Step 2: Assembly of Board and Slide scoring unit

NOTE: Do not allow the weight of the table to rest on the side of the legs. Use two person or more persons to turn the table right side up.

* Place board(#3) onto the cabinet as shown in the figure 2.

Note: Lift the board high enough so that the climate adjusters don't hit the table cabinet.

* Fix slide scoring unit (#8) with screw (#9) as shown in the picture 2.

* Put the wood cap(#10) into screw holes.

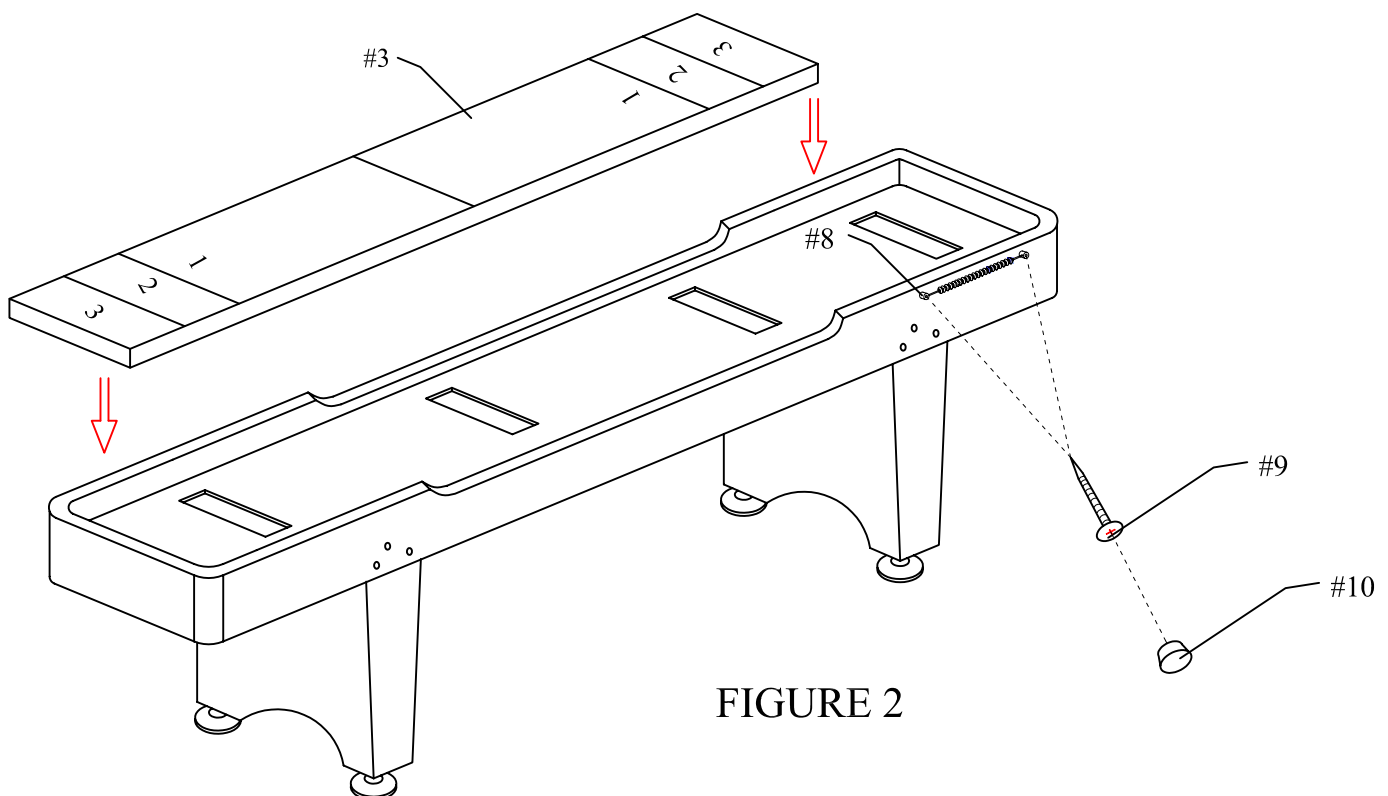


FIGURE 2