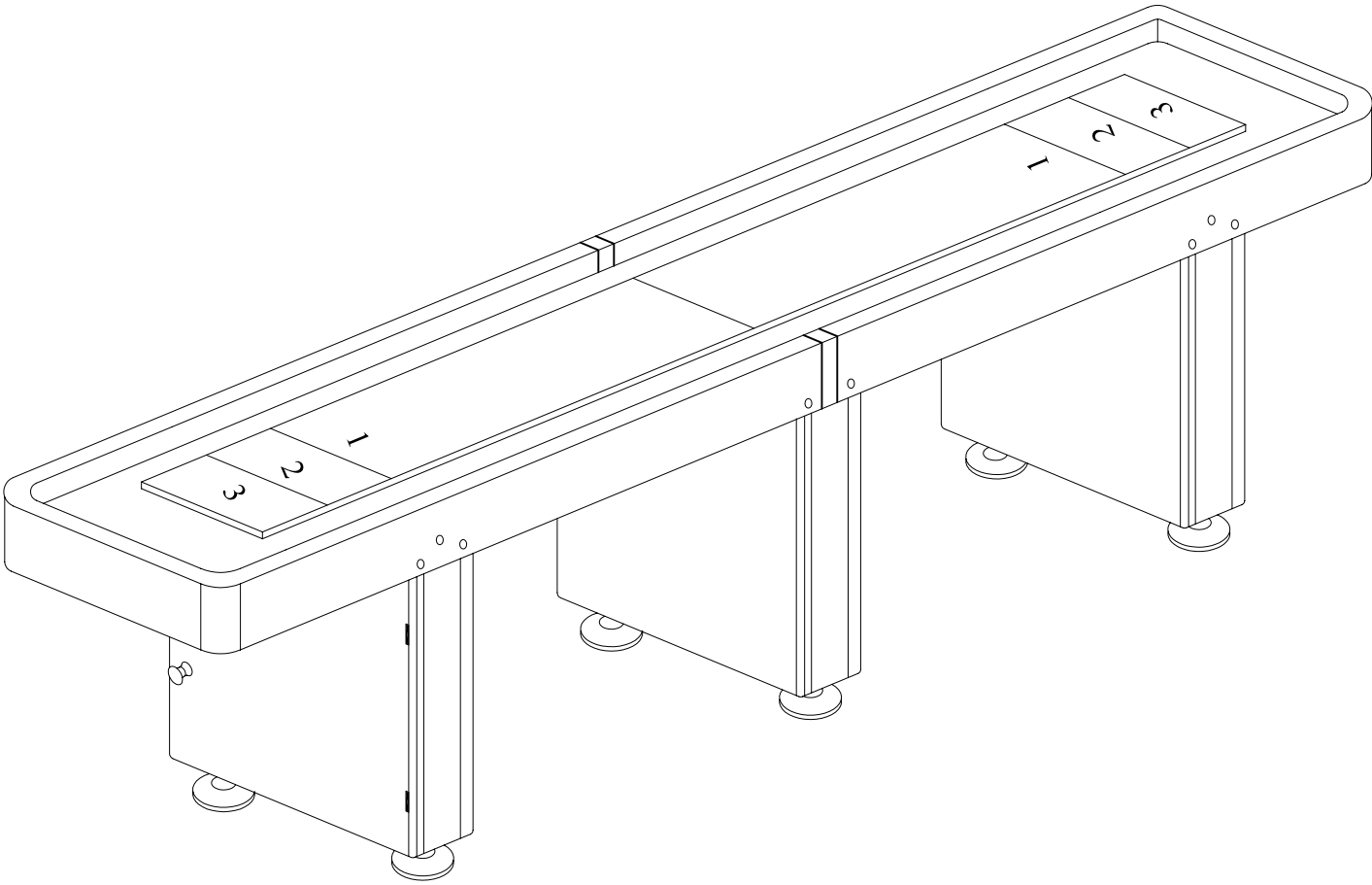


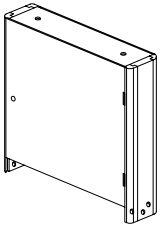
INSTRUCTION MANUAL

FOR SHUFFLEBOARD



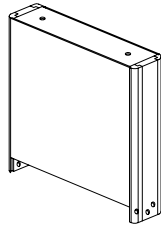
ASSEMBLY INSTRUCTION

#1



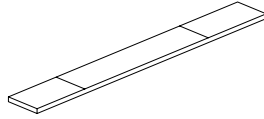
Leg 01
1 pc

#2



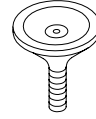
Leg 02
2 pcs

#3



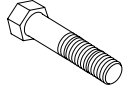
Board
1 pc

#4



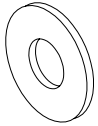
Leg Leveler
6 pcs

#5



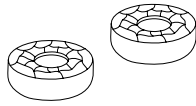
5/16"*2-1/4" Bolt
16 pcs

#6



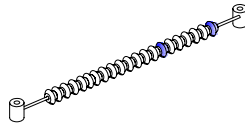
5/16"*23mm Washer
16 pcs

#7



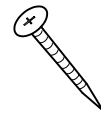
Red and blue puck
each 4 pcs

#8



Slide scoring unit
2 set

#9



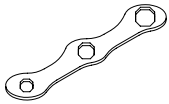
Screw F4*1-1/2"
4 pcs

#10



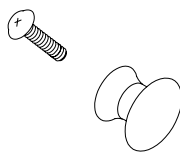
Wood cap
4 pcs

#11



Wrench
1 pc

#12



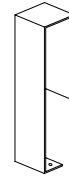
Handle
1 set

#13



Shuffleboard speed wax
1 pc

#14



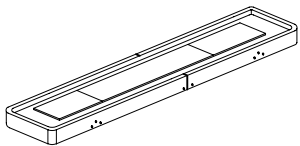
Metal cover
2 pcs

#15



Screw F3*12mm
4 pcs

#16



Cabinet
1 pc

ASSEMBLY INSTRUCTION

Step 1: Assembly of Legs

* Use blot(#5) and washer(#6) to secure leg 01(#1) and leg 02(#2) to cabinet(#16) as shown in the figure 1.

* Install leg levelers(#4) as shown in the figure 1.

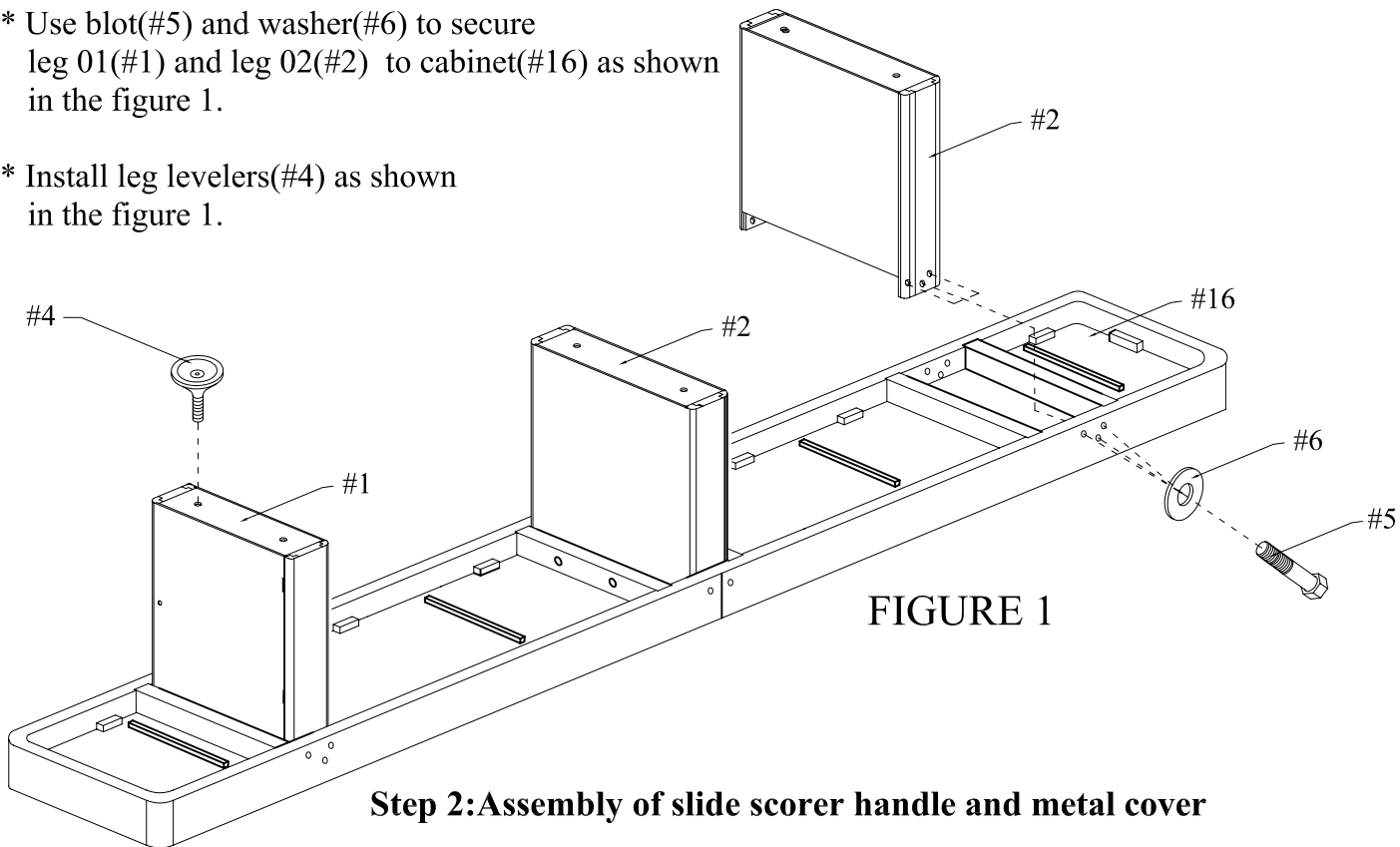


FIGURE 1

Step 2: Assembly of slide scorer handle and metal cover

NOTE: Do not allow the weight of the table to rest on the side of the legs. Use two person or more persons to turn the table right side up.

* Use blot to handle(#12) to secure leg 01(#1) as shown in the figure 2.

* Use screw(#9) to attach the wood scorer(#8) to the cabinet as shown.

* Put the wood cap(#10) into screw holes.

* Fix metal cover (#14) with screw (#15) as shown in the picture 2.

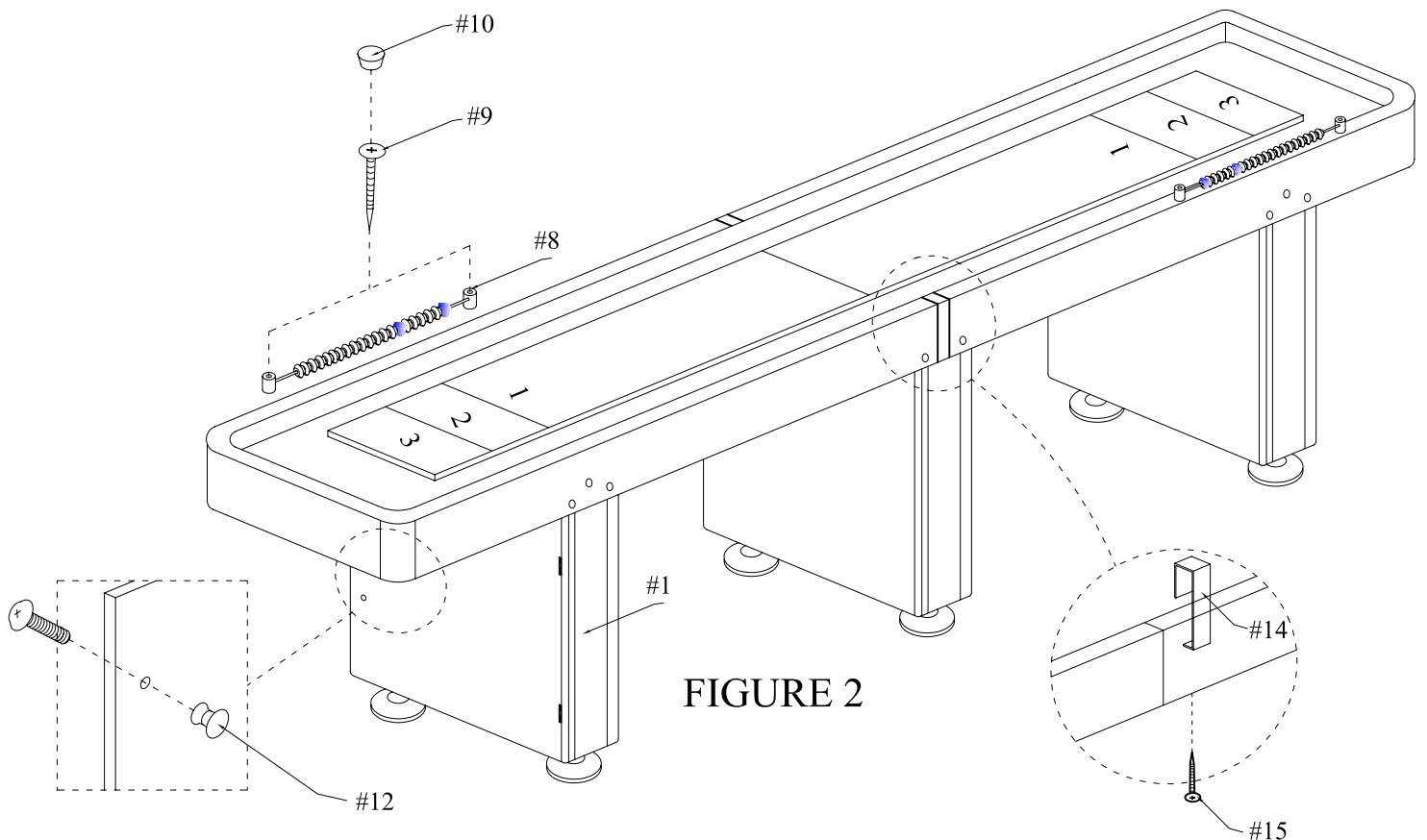


FIGURE 2