

ASSEMBLY INSTRUCTION

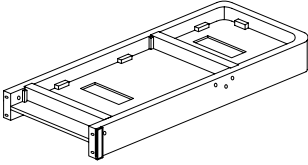
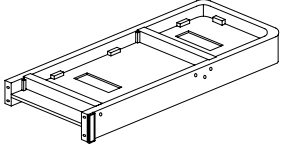
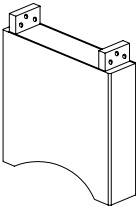
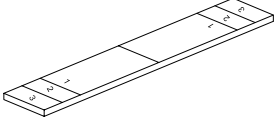

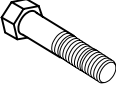
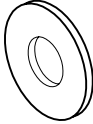
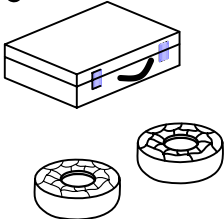
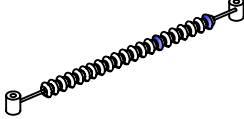


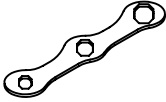
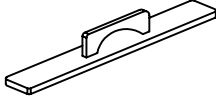
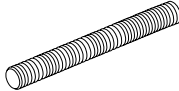

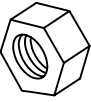
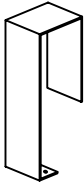

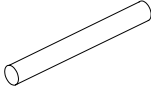
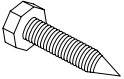
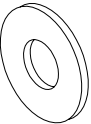
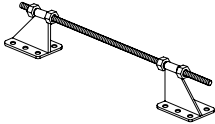
INSTRUCTION MANUAL FOR SHUFFLEBOARD



IMPORTANT:

- * Please go through this instruction book before attempting assembly to familiarize yourself with all parts and assembly step.
- * We recommend that four adults assemble this table.
- * And we highly recommend using a power screwdriver.

ASSEMBLY INSTRUCTION

<p>#1</p>  <p>Cabinet <01> 1 pc</p>	<p>#2</p>  <p>Cabinet <02> 1 pc</p>	<p>#3</p>  <p>Leg 3 pcs</p>	<p>#4</p>  <p>Board 1 pc</p>	<p>#5</p>  <p>Leg Leveler 6 pcs</p>
<p>#6</p>  <p>5/16" * 3" Bolt 16 pcs</p>	<p>#7</p>  <p>5/16" * 23mm Washer 16 pcs</p>	<p>#8</p>  <p>Red and blue puck each 4 pcs</p>	<p>#9</p>  <p>Slide scoring unit 2 set</p>	<p>#10</p>  <p>Screw F4*1-1/2" 4 pcs</p>
<p>#11</p>  <p>Wood cap 4 pcs</p>	<p>#12</p>  <p>Wrench 1 pc</p>	<p>#13</p>  <p>Wiper 1 pc</p>	<p>#14</p>  <p>Bolt 3/8" 2 pcs</p>	<p>#15</p>  <p>Washer 3/8" * 25mm 4 pcs</p>
<p>#16</p>  <p>Nut 3/8" 4 pcs</p>	<p>#17</p>  <p>Metal cover 2 pcs</p>	<p>#18</p>  <p>Screw F3*12mm 4 pcs</p>	<p>#19</p>  <p>Rod 4 pcs</p>	<p>#20</p>  <p>Screw 5/16" * 2-1/4" 72 pcs</p>
<p>#21</p>  <p>Washer 3/8" * 25mm 72 pcs</p>	<p>#22</p>  <p>Climate adjuster 6 pcs</p>			

ASSEMBLY INSTRUCTION

Step 1: Assembly of Legs

* Use blot(#6) and washer(#7) to secure leg(#3) to cabinet<01>(#1) and cabinet<02>(#2) as shown in the figure 1.

* Install leg levelers(#5) as shown in the figure 1.

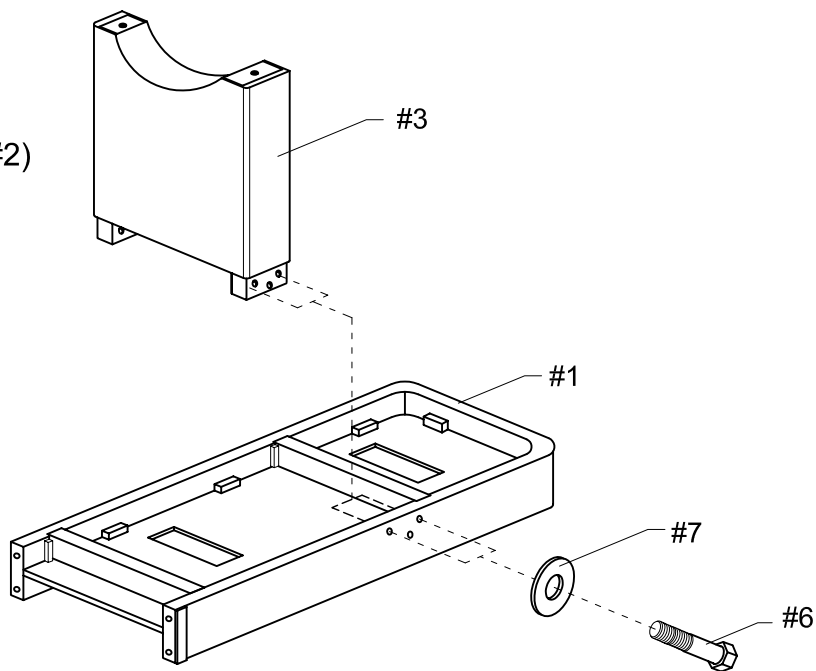
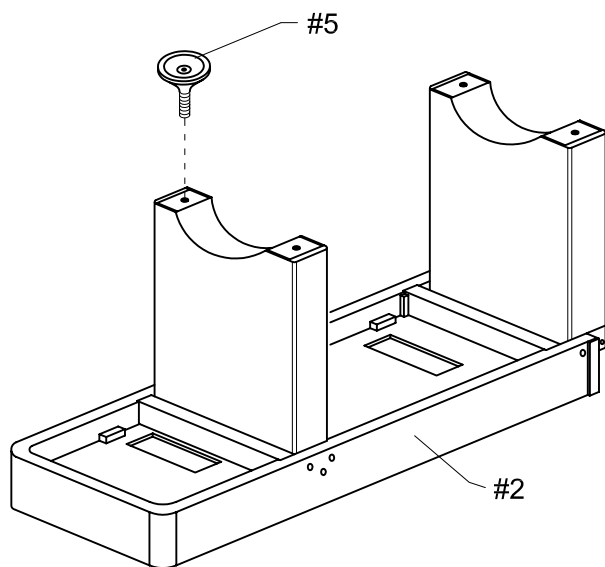


FIGURE 1

Step 2: Assembly of cabinet

* Turn cabinet <02> right side up.

* Turn cabinet <01> right side up and attach it to cabinet <02>.

NOTE: Do not allow the weight of the table to rest on the side of the legs. Have two person to turn the table right side up.

* Put the rod(#19) into holes, as shown in the figure 2.

* Connect 2 cabinet(#1) together with bolt(#14) washer(#15) and nut(#16) as shown in the figure 2.

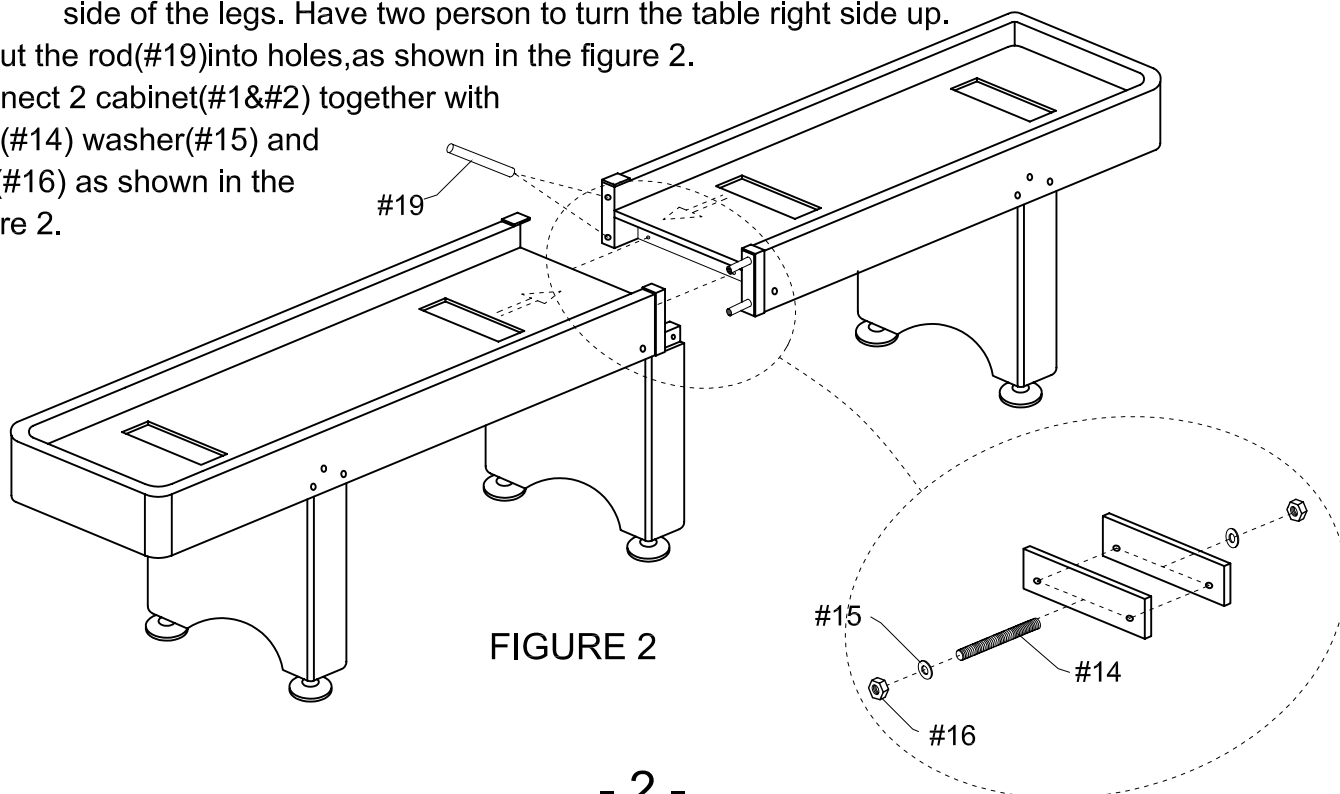


FIGURE 2

ASSEMBLY INSTRUCTION

* Use blot(#6) and washer(#7) to fix cabinet <01>(#1) to legs(#3) as shown in the figure 3.

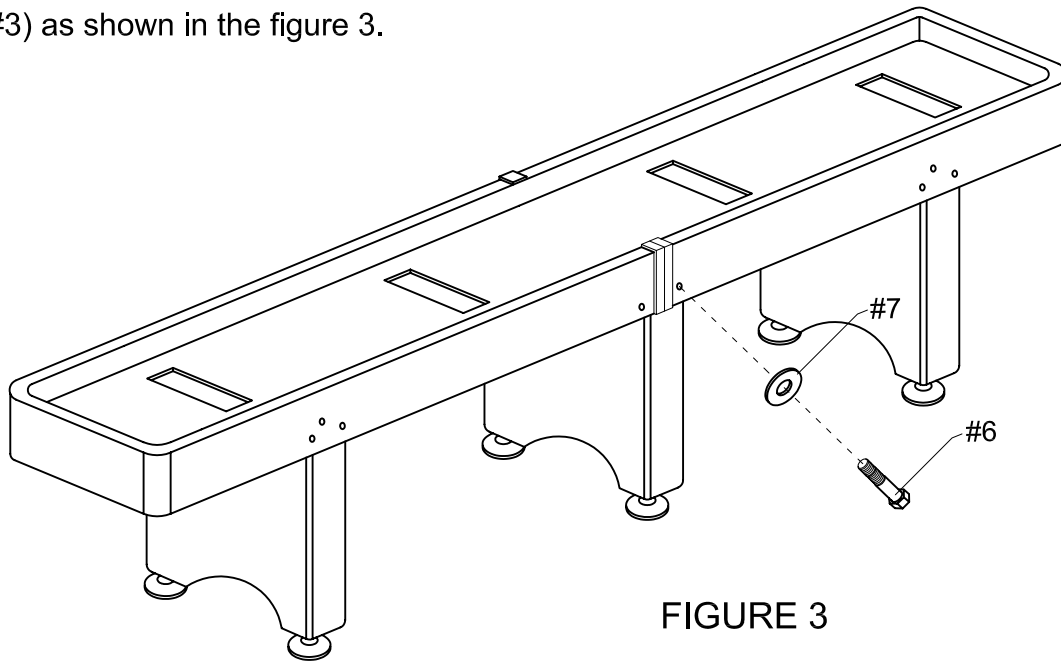


FIGURE 3

Step 3: Assembly of climate adjuster

* Use screw(#20) and washer(#21) to fix climate adjusters(#22) to board as shown in the figure 4.

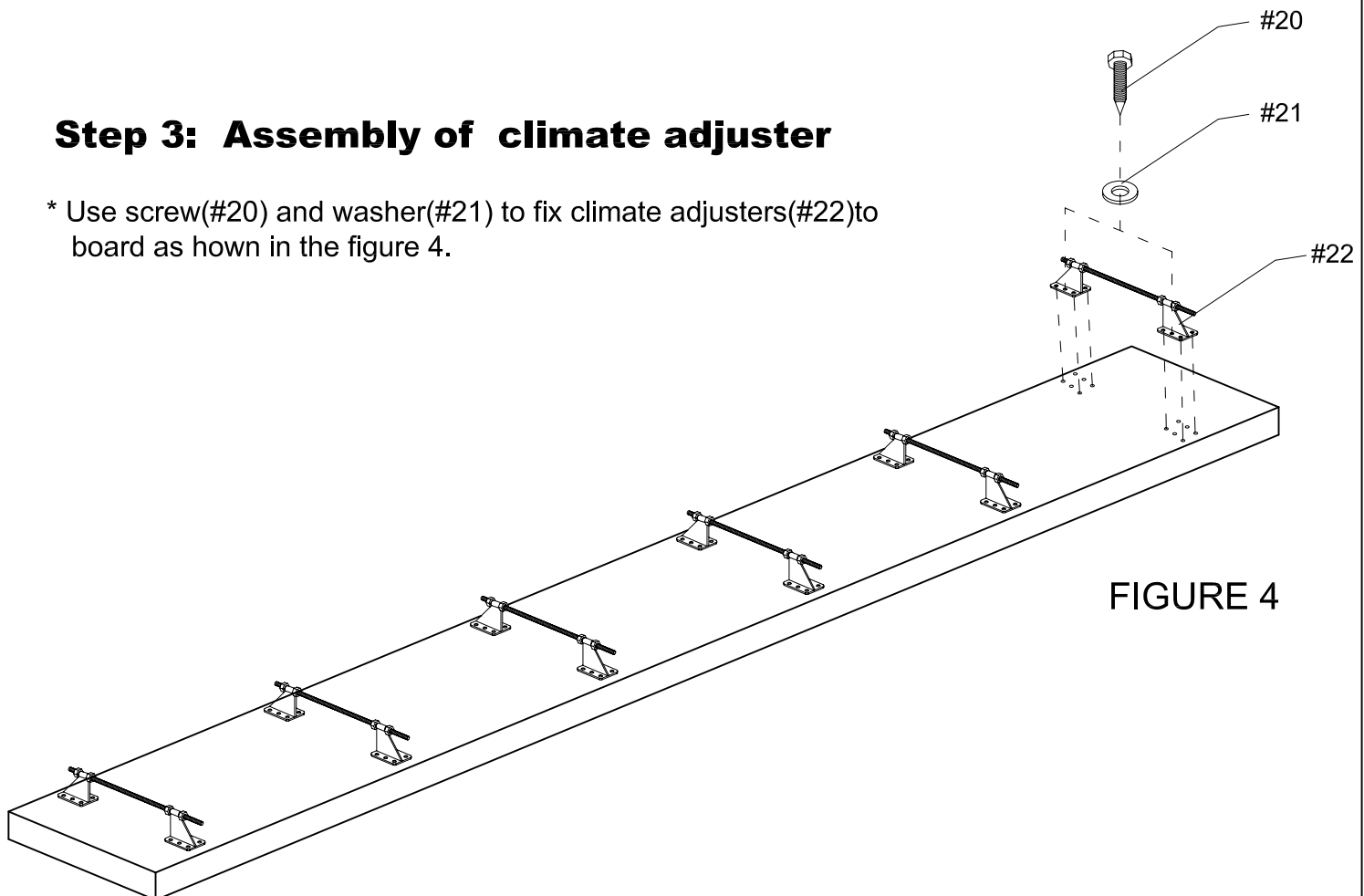


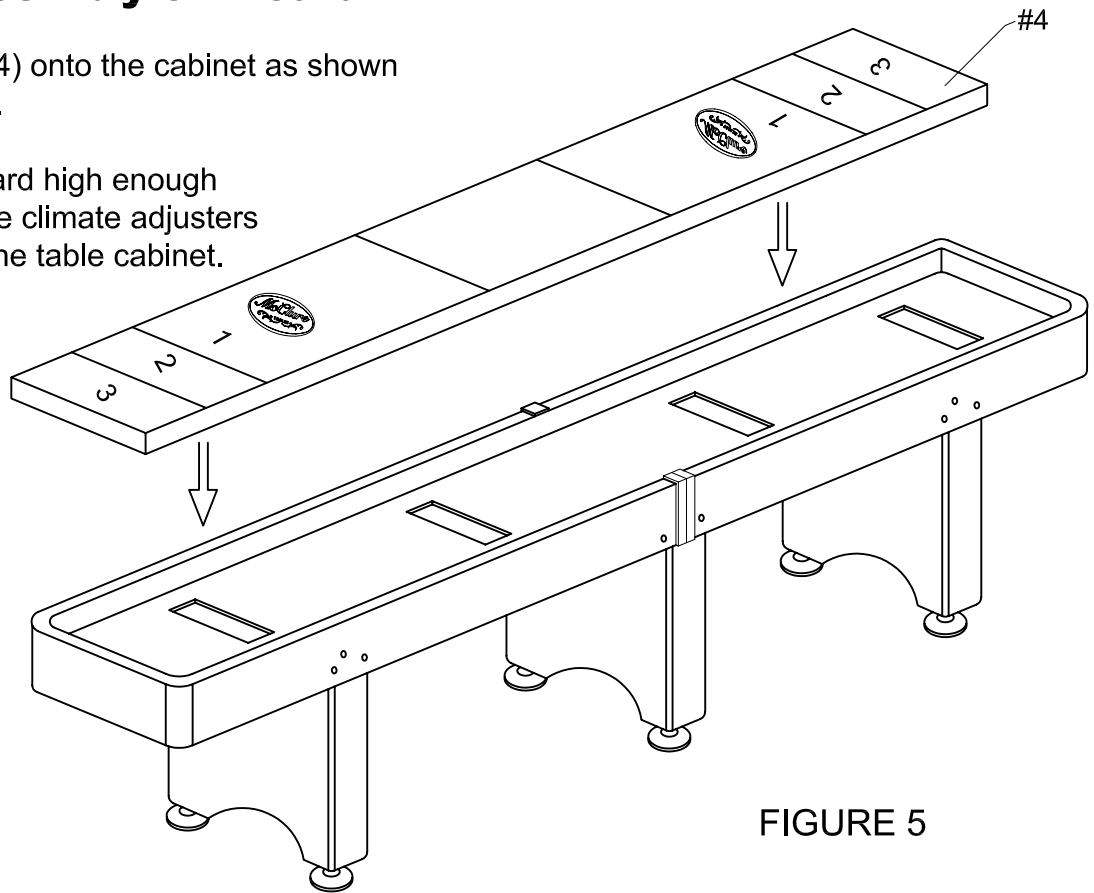
FIGURE 4

ASSEMBLY INSTRUCTION

Step 4: Assembly of Board

- * Place board(#4) onto the cabinet as shown in the figure 5.

Note: Lift the board high enough so that the climate adjusters don't hit the table cabinet.



Step 5: Assembly of Slide scoring unit

- * Fix metal cover (#17) with screw (#18) as shown in the picture 6.
- * Fix slide scoring unit (#9) with screw (#10) as shown in the picture 6.
- * Put the wood cap(#11) into screw holes.

