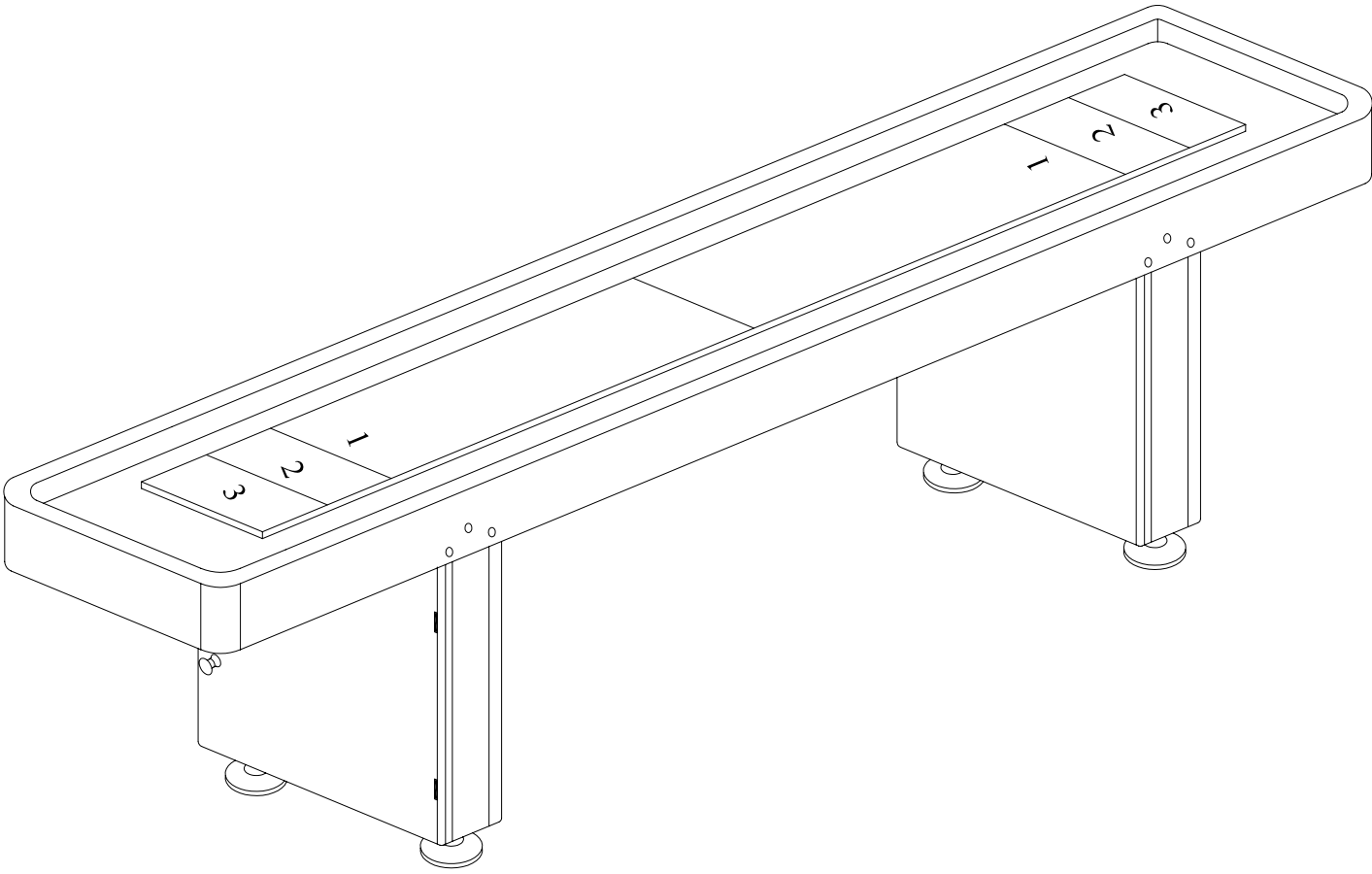
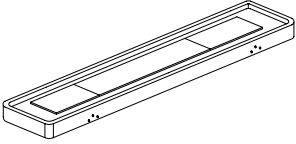
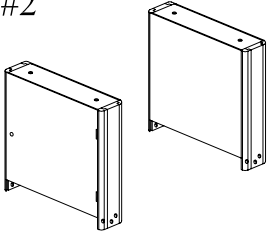
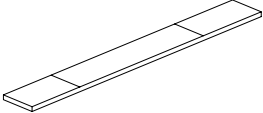

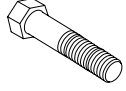
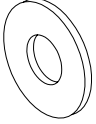
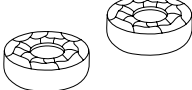
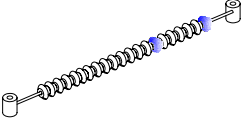




# INSTRUCTION MANUAL

## FOR SHUFFLEBOARD



# ASSEMBLY INSTRUCTION

<p>#1</p>  <p>Cabinet 1 pc</p>	<p>#2</p>  <p>Leg 2 pcs</p>	<p>#3</p>  <p>Board 1 pc</p>	<p>#4</p>  <p>Leg Leveler 4 pcs</p>	<p>#5</p>  <p>5/16"*2-1/4" Bolt 12 pcs</p>
<p>#6</p>  <p>5/16"*23mm Washer 12 pcs</p>	<p>#7</p>  <p>Red and blue puck each 4 pcs</p>	<p>#8</p>  <p>Slide scoring unit 2 set</p>	<p>#9</p>  <p>Screw F4*1-1/2" 4 pcs</p>	<p>#10</p>  <p>Wood cap 4 pcs</p>

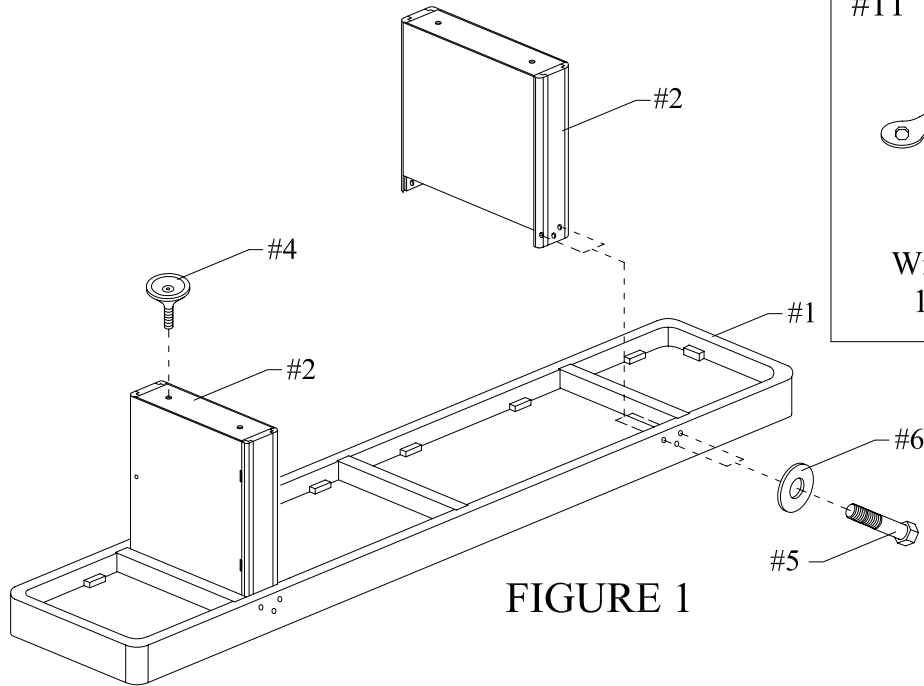
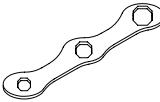
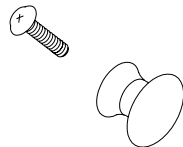
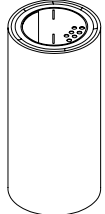


FIGURE 1

<p>#11</p>  <p>Wrench 1 pc</p>	<p>#12</p>  <p>Handle 1 set</p>	<p>#13</p>  <p>Shuffleboard speed wax 1 pc</p>
---	---	--

## Step 1: Assembly of Legs

\* Use blot(#5) and washer(#6) to secure leg(#2) to cabinet(#1) as shown in the figure 1.

\* Install leg levelers(#4) as shown in the figure 1.

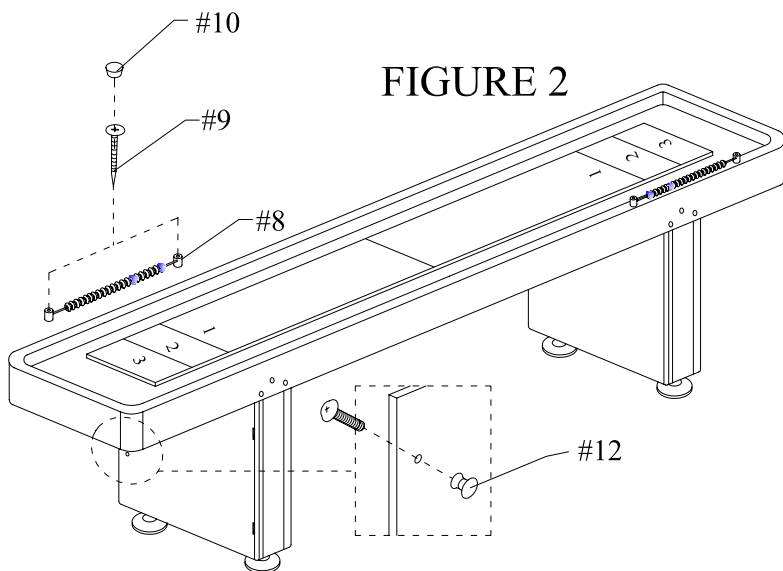


FIGURE 2

## Step 2: Assembly of slide scorer and handle

NOTE: Do not allow the weight of the table to rest on the side of the legs. Use two person or more persons to turn the table right side up.

\* Use blot to handle(#12) to secure leg(#2) as shown in the figure 2.

\* Use screw(#9) to attach the wood scorer(#8) to the cabinet as shown.

\* Put the wood cap(#10) into screw holes.